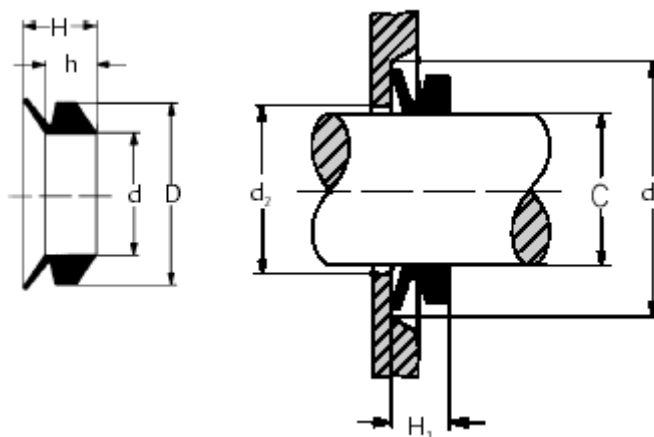


Article number: 17950012S

Description: KLEE V-ring VS 50-12 NBR 60

## Measures

---



$C = 11,5-13,5$

$d = 10,5$

$D = 16,5$

$d1 = C+9$

$d2 = C+2$

$h = 5,6$

$H = 7,7$

$H1 = 6,7 \pm 0,6$